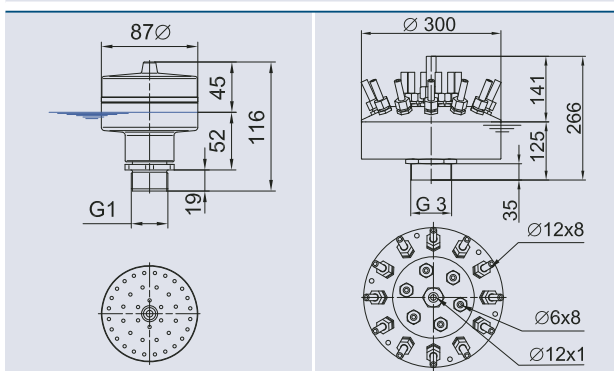




Accessories (must be ordered separately)	Order no.
Sleeve 10 silver (see page 230)	51018
Sleeve 15 silver (see page 230)	51019
Hexagon nippel 10 silver (see page 230)	51022
Hexagon nippel 30 silver (see page 230)	51025
Swivel connection 10 silver (see page 230)	51015
Adapter G 10 / NPT 10 (see page 230)	51026
Adapter G 30 / NPT 30 (see page 230)	51029



	Fresh Water	Pool Water	Sea Water
Vulcan 43-3			
Vulcan 300/19-8			

VULCAN 43-3 SILVER, 300/19-8 SILVER

Whether small spray fountain or large water features, Vulcan nozzles generate a bundle of jets from 0.5 to 15 metres in height that fall in multiple stages. In this configuration the individual jets remain clear and relatively stable in wind.

Product characteristics at a glance

- Attractive multi-stage water pattern
- Precise full jets that are stable in wind
- Fountain height is continuously adjustable
- With Komet nozzles jet angles can be adjusted as well individually (Vulcan 300/19-8 Silver)
- Water-level independent
- Easy to clean

	Vulcan 43-3 Silver			Vulcan 300/19-8 Silver			
Dimensions (Ø x H mm)	87 x 116			300 x 256			
Fountain height	DSD	DWB	DDB	BWB	DWB	DDB	
	m	l/min	bar	m	l/min	bar	
0.50	[m]	0.40	42	0.10			
0.75	[m]	0.50	50	0.15			
1.00	[m]	0.65	60	0.20			
1.50	[m]	0.80	76	0.30			
2.00	[m]	1.10	90	0.40			
2.50	[m]	1.30	102	0.50			
3.00	[m]	1.50	112	0.60	variab.	339	0.38
3.50	[m]	1.70	121	0.76	variab.	368	0.44
4.00	[m]	2.00	130	0.88	variab.	394	0,50
5.00	[m]				variab.	442	0.64
6.00	[m]				variab.	485	0.77
7.00	[m]				variab.	525	0.90
8.00	[m]				variab.	562	1.03
9.00	[m]				variab.	597	1.16
10.00	[m]				variab.	630	1.29
11.00	[m]				variab.	662	1.42
12.00	[m]				variab.	692	1.56
13.00	[m]				variab.	720	1.69
14.00	[m]				variab.	749	1.82
15.00	[m]				variab.	776	1.96
Material	Tombac			Stainless steel Double Coated Brass			
Weight	[kg]	1.5			18.5		
Order no.	50766			50977			