



	Fresh Water	Pool Water	Sea Water	220-240 V	400 V	110-120 V	50 Hz	60 Hz
AquaMax Eco Gravity								

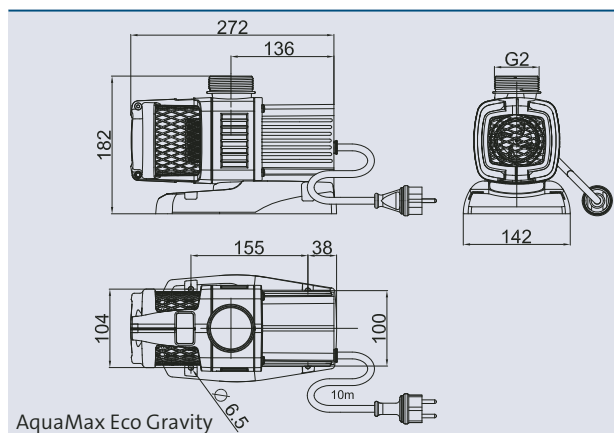
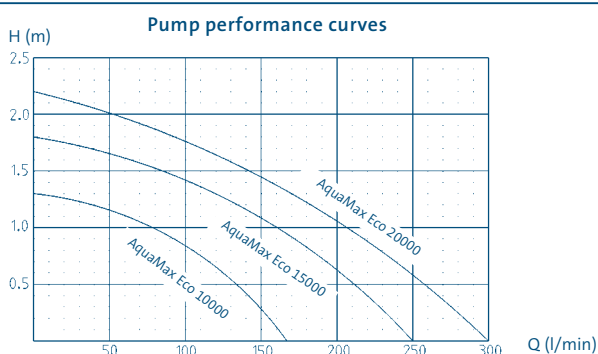
AQUAMAX ECO GRAVITY 10000/15000/20000

Product characteristics at a glance

- Coarse pollutant displacement of particles up to 6 mm in size
- Flow-optimised impellers ensure a high-level of energy efficiency
- Long service life
- Suitable for wet or dry-installation

- Suitable for use in swim ponds and bathing ponds
- Includes adaptor set
2"/DA 63 and DA 75/DA 100

Unique and highly economical filtration pumps: Especially developed to meet the requirements in gravity operated filter installations (gravitation principle).



AquaMax Eco Gravity		10000	15000	20000
Dimensions (L x W x H)	[mm]	272 x 142 x 182		
Rated voltage	[V/AC]	220 – 240 V / 50 Hz		
Power consumption	[W]	65	85	120
Nominal current	[A]	0.57	0.41	0.54
Litres per minute max.	[l/min]	167	250	300
Litres per hour max.	[l/h]	10000	15000	18000
Head height max.	[m]	1.30	1.80	2.20
Pressure-side connection		2"	2"	2"
Suction-side connection		2"	2"	2"
Hose connection		2"	2"	2"
Weight	[kg]	4.00	4.00	4.00
Cable length	[m]	10.00	10.00	10.00
Order no.		57091	57092	57093